



# VENTILATION PANELS

## GETELEC

We protect your electronics

Often used for electromagnetically screening ventilation opening, ventilation panels allow the free movement of air while ensuring a high level of EMF/RFI protection.

GETELEC ventilation panels comprise a honeycomb filter element and a frame giving the structure its rigidity.

These filters can be made in Surtec treated aluminum for applications where field H performance is not too high or in tinned steel when good field H and Field E attenuation is required.

Electrical continuity between the ventilation panel and the housing is ensured by means of a conductive elastomer seal or metal braiding. These filters are made to customer plans and specifications.

### ALUMINUM HONEYCOMB ATTENUATION

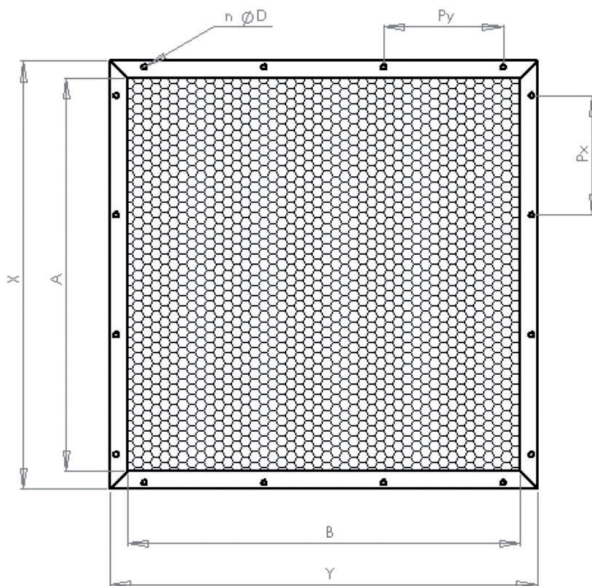
Fields	Frequencies	Attenuation (dB)
Fields H	100 KHz	20 dB
Fields E	1 MHz	35 dB
	100 MHz	90 dB
Plane wave	1 GHz	55 dB

### TINNED STEEL HONEYCOMB ATTENUATION

Fieds	Frequencies	Attenuation (dB)
Fields H	100 KHz	85 dB
Fields E	1 MHz	120 dB
	100 MHz	130 dB
Plane wave	1 GHz	120 dB

### GETELEC VENTILATION PANELS STANDARD DIMENSIONS

Airflow	Cell diameter	Honeycomb depth	Frame depth
83%	3.2 mm	6.35 mm	9.50 mm
83%	3.2 mm	12.70 mm	15.90 mm



#### Tolerances :

- Linear :  $\pm 0.8\text{mm}$
- Between centres :  $\pm 0.4\text{mm}$
- Drillings :  $\pm 0.15\text{mm}$
- Frame :  $\pm 0.10\text{mm}$

Useful dimensions to give us for quotation